



# FALCON SHOCKS

JEEP JT GLADIATOR MONOTUBE

QUICK START GUIDE

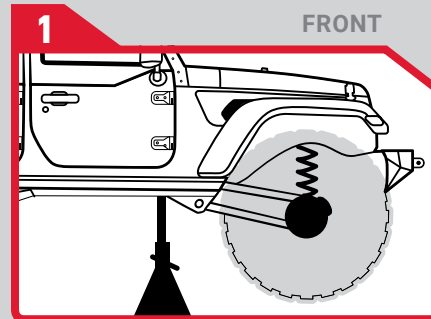
Every aspect of vehicle dynamics must be considered in developing a properly engineered suspension system to ensure predictable handling and a smooth ride. This includes correct suspension geometry as well as properly matching the shock's compression and rebound to the spring rate.

Falcon Shocks went back to the drawing board to engineer brand-new shock absorber systems that are properly matched to the factory spring rate resulting in a sportier ride with better control and handling without sacrificing ride quality. Our in-house engineering experts have invested hundreds of hours in dyno verified – as well as real world on and off-road driving – shock tuning to deliver optimal results. Results that can be felt in a “seat-of-the-pants” drive.

All Falcon Shocks are designed, engineered, and built with state-of-the-art methods including CAD designs, finite element analysis (FEA), in-house lab simulation, and real-world street and trail testing.

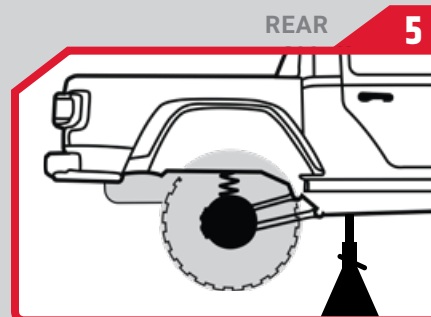
For more information regarding Falcon Shocks installation view the Video Installation Guide found on:

<https://www.falconshocks.com/videos>



## INSTALL PREP:

- Remove the front shocks.  
(Refer to the factory service manual.)
- Removal of the tire is optional.



## INSTALL PREP:

- Remove the rear shocks.  
(Refer to the factory service manual.)
- Removal of the tire is optional.



- Install the front shocks with the shaft down.



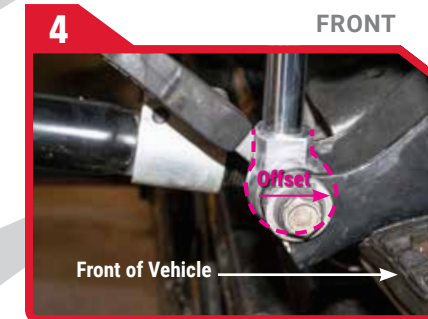
- Install the rear shocks with the shaft down.



- Orient the offset eyelet sleeve with the spacer facing inward for maximum frame clearance.
- Torque the upper bolt to 56 ft-lb.



- Torque the upper bolt to 100 ft-lb.



- Orient the eyelet with the offset facing toward the axle for maximum shock body to spring pad clearance.
- Torque the lower bolt to 56 ft-lb.



- Rotate the shaft until the lettering on the roostguard faces forward.
- Torque the lower bolt to 100 lb-ft.

## NOTES



RED LINE FULL SYNTHETIC OIL HAS A HIGH VISCOSITY INDEX OF 540 FOR SUPERIOR ALL-WEATHER PERFORMANCE.



HAND WASH WITH SOAP AND WATER FOR CLEANING. DO NOT CLEAN WITH ACIDS.



3 YEAR WARRANTY TO BE FREE OF DEFECTS AND WORKMANSHIP. REPAIR OR REPLACE AT NO COST.